

3/4 SMART FLASHER INSTALLATION

ALDOR Electronic Services, 2961 Industrial Rd. Ste. #212, Las Vegas, NV 89109
 PH: 702-631-3400 / FX: 702-631-3401 / email: aldor@coam.net / www.aldor.net

DIP Switch Selections

SELECT 3 OR 4 POINT THEN SET THE PATTERN USING SWITCHES A, B AND C

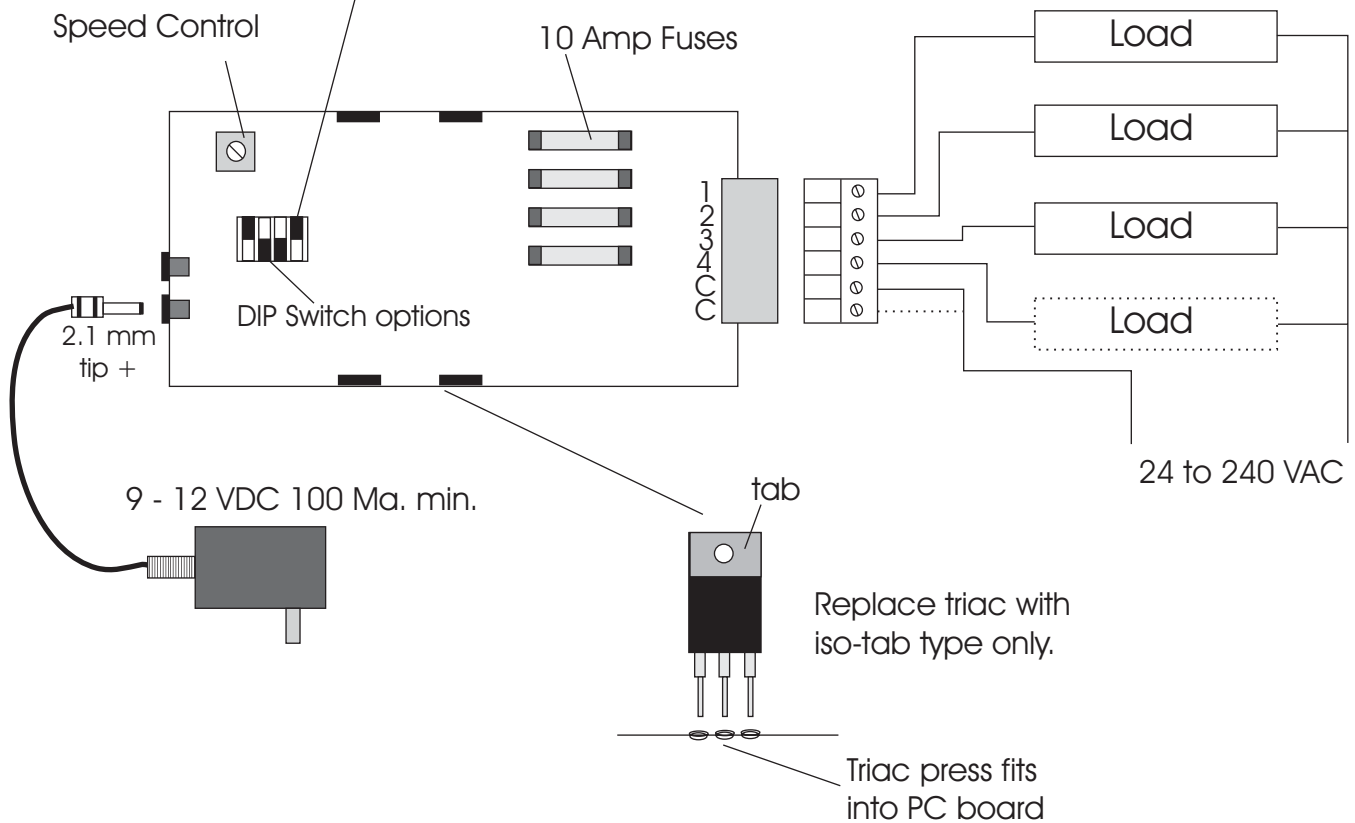
"X" = switch off

X X X = SCINTILLATE, ONE OFF
 A X X = FORWARD / BACK
 X B X = ON / OFF
 A B X = SPELL / OFF / ON
 X X C = OFF / SPELL FORWARD / SPELL BACK
 A X C = TWINKLE
 X B C = SCINTILLATE / ONE ON
 A B C = STEP THROUGH EACH PATTERN 50 TIMES

IF THE PATTERN DOESN'T CHANGE IMMEDIATELY UNPLUG THE DC POWER JACK THEN RECONNECT



LOAD can be neon transformers or incandescent lamps or relays



- USE SECOND DC JACK TO JUMPER TO ANOTHER FLASHER.
- "C" AND "C" ARE CONNECTED TOGETHER ON THE BOARD.
- TRIACS UNPLUG FOR EASY REPLACEMENT.
- REMOVE AC POWER BEFORE REPLACING FUSES.
- SCREW IN TRIAC SCREWS BY HAND BEFORE TIGHTENING.

● = OUTPUT IS ON ○ = OUTPUT IS OFF

ABC
SWITCH = XXX

1 2 3
○ ● ●
● ○ ●
● ● ○

ABC
SWITCH = AXX

1 2 3
○ ● ●
● ○ ●
● ● ○
● ○ ●

ABC
SWITCH = XBX

1 2 3
○ ○ ○
● ● ●

ABC
SWITCH = ABX

1 2 3
○ ○ ○
○ ○ ●
○ ● ●
● ● ●
○ ○ ○
● ● ●

ABC
SWITCH = XXC

1 2 3
○ ○ ○
○ ○ ●
○ ● ●
● ● ●
○ ● ●
○ ○ ●

ABC
SWITCH = AXC

1 2 3
○ ○ ●
○ ● ●
● ○ ○
● ○ ○
○ ○ ●
○ ○ ●
● ○ ●

ABC
SWITCH = XBC

1 2 3
● ○ ○
○ ● ○
○ ○ ●

ABC
SWITCH = ABC

*STEP THROUGH
EACH PATTERN
50 TIMES EXCEPT
XBX = 16 TIMES*

DIP Switch Selections

**SELECT 3 OR 4 POINT THEN SET THE PATTERN
USING SWITCHES A, B AND C**

"X" = switch off

X X X = SCINTILLATE, ONE OFF

A X X = FORWARD / BACK

X B X = ON / OFF

A B X = SPELL / OFF / ON

X X C = OFF / SPELL FORWARD / SPELL BACK

A X C = TWINKLE

X B C = SCINTILLATE / ONE ON

A B C = STEP THROUGH EACH PATTERN 50 TIMES

***IF THE PATTERN DOESN'T CHANGE
IMMEDIATELY UNPLUG THE DC POWER
JACK THEN RECONNECT***

● = OUTPUT IS ON ○ = OUTPUT IS OFF

ABC
SWITCH = XXX

1 2 3 4
○ ● ● ●
● ○ ● ●
● ● ○ ●
● ● ● ○

ABC
SWITCH = AXX

1 2 3 4
○ ● ● ●
● ○ ● ●
● ● ○ ●
● ● ● ○
● ● ○ ●
● ○ ● ●

ABC
SWITCH = XBX

1 2 3 4
○ ○ ○ ○
● ● ● ●

ABC
SWITCH = ABX

1 2 3 4
○ ○ ○ ○
○ ○ ○ ●
○ ○ ● ●
○ ● ● ●
● ● ● ●
○ ○ ○ ○
● ● ● ●

ABC
SWITCH = XXC

1 2 3 4
○ ○ ○ ○
○ ○ ○ ●
○ ○ ● ●
○ ● ● ●
● ● ● ●
○ ● ● ●
○ ○ ● ●
○ ○ ○ ●

ABC
SWITCH = AXC

1 2 3 4
● ○ ○ ●
○ ○ ● ●
● ● ○ ○
○ ● ● ○
● ○ ○ ●
● ○ ○ ○
● ○ ○ ●

ABC
SWITCH = XBC

1 2 3 4
● ○ ○ ○
○ ● ○ ○
○ ○ ● ○
○ ○ ○ ●

ABC
SWITCH = ABC

*STEP THROUGH
EACH PATTERN
50 TIMES EXCEPT
XBX = 16 TIMES*

DIP Switch Selections

**SELECT 3 OR 4 POINT THEN SET THE PATTERN
USING SWITCHES A, B AND C**

"X" = switch off

X X X = SCINTILLATE, ONE OFF

A X X = FORWARD / BACK

X B X = ON / OFF

A B X = SPELL / OFF / ON

X X C = OFF / SPELL FORWARD / SPELL BACK

A X C = TWINKLE

X B C = SCINTILLATE / ONE ON

A B C = STEP THROUGH EACH PATTERN 50 TIMES

***IF THE PATTERN DOESN'T CHANGE
IMMEDIATELY UNPLUG THE DC POWER
JACK THEN RECONNECT***